

Specifications

Models	S-60 XC		S-65 XC	
Measurements	Metric	US	Metric	US
Working height maximum*	20.29 m	66 ft	21.81 m	71 ft
Platform height maximum	18.29 m	60 ft	19.81 m	65 ft
Horizontal reach maximum	14.80 m	48 ft 7 in	16.51 m	54 ft 2 in
Below ground reach	1.65 m	5 ft 5 in	2.65 m	8 ft 8 in
A Platform length - 8 ft model	0.91 m	3 ft	0.91 m	3 ft
Platform length - 6 ft model	0.76 m	2 ft 6 in	0.76 m	2 ft 6 in
B Platform width - 8 ft model	2.44 m	8 ft	2.44 m	8 ft
Platform width - 6 ft model	1.83 m	6 ft	1.83 m	6 ft
C Height - stowed	2.82 m	9 ft 3 in	2.82 m	9 ft 3 in
D Length - stowed	8.70 m	28 ft 7 in	9.70 m	31 ft 10 in
Length - transport (jib tucked under)	—	—	7.86 m	25 ft 9.6 in
E Width	2.49 m	8 ft 2 in	2.49 m	8 ft 2 in
F Wheelbase	2.50 m	8 ft 3 in	2.50 m	8 ft 3 in
G Ground clearance - center	0.41 m	16.3 in	0.41 m	16.3 in

Productivity

Maximum lift capacity - unrestricted	300 kg	660 lb	300 kg	660 lb
- restricted	454 kg	1,000 lb	454 kg	1,000 lb
Platform rotation	160°	160°	160°	160°
Vertical jib rotation	—	—	135° (+ 78° /- 57°)	—
Turntable rotation	360° continuous		360° continuous	
Turntable tailswing	1.41 m	4 ft 7.5 in	1.41 m	4 ft 7.5 in
Drive speed - stowed	4.8 km/h	3.0 mph	4.8 km/h	3.0 mph
- raised/extended	0.3 m/s	1 ft/s	0.3 m/s	1 ft/s
Gradeability - stowed**	45%	45%	45%	45%
Turning radius - inside	2.40 m	7 ft 9 in	2.40 m	7 ft 9 in
- outside	5.50 m	18 ft 2 in	5.50 m	18 ft 2 in
Controls	12V DC proportional		12V DC proportional	
Tyres - RT foam filled	355/55D 625		355/55D 625	

Power

Power source	Deutz diesel D2011L03i, 48 hp (36 kW)			
Auxiliary power unit	12V DC	12V DC	12V DC	12V DC
Hydraulic tank capacity	151 L	40 gal	151 L	40 gal
Fuel tank capacity - diesel	132 L	35 gal	132 L	35 gal

Sound & Vibration Levels

Sound pressure level (ground workstation)	83 dBA	83 dBA	83 dBA	83 dBA
Sound pressure level (platform workstation)	79 dBA	79 dBA	79 dBA	79 dBA
Vibration	<2.5 m/s ²	<8 ft 2 in/s ²	<2.5 m/s ²	<8 ft 2 in/s ²

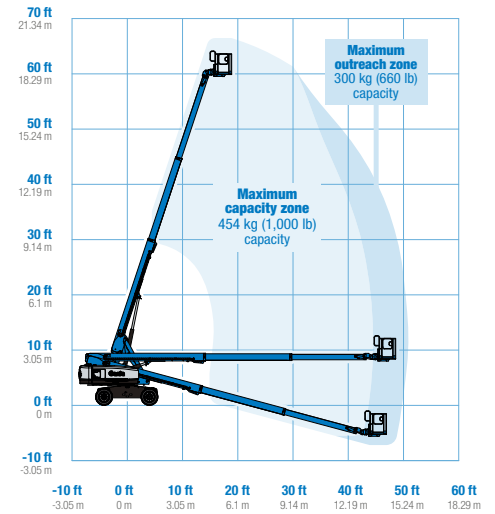
Weight***

4WD	10,401 kg	22,930 lbs	11,412 kg	25,160 lbs
-----	-----------	------------	-----------	------------

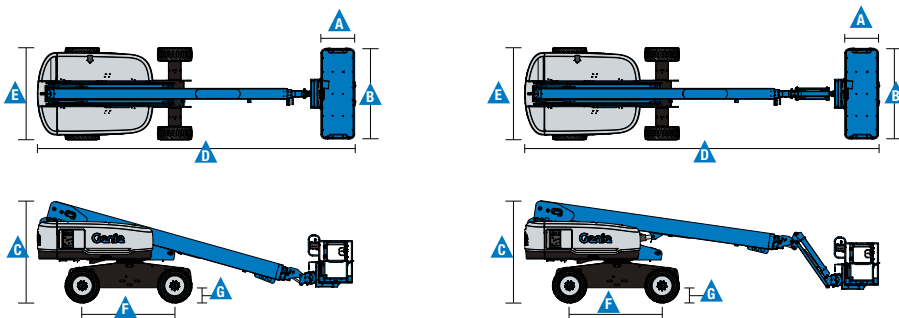
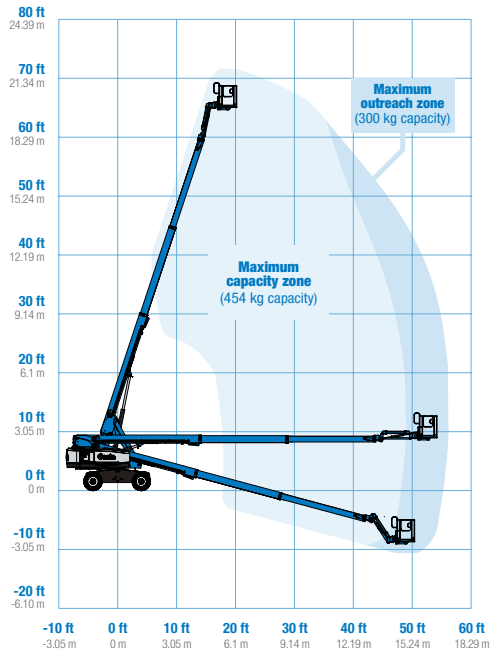
Standards Compliance

EU Directives: 2006/42/EC - Machinery (harmonized standard EN280); 2004/108/EC (EMC); 2000/14/EC (Outdoor Noise)

Range Of Motion S-60 XC



Range Of Motion S-65 XC



* The metric equivalent of working height adds 2 m to platform height. U.S. adds 6 ft to platform height.
 ** Gradeability applies to driving on slopes. See operator's manual for details regarding slope ratings.
 *** Weight will vary depending on options and/or country standards.

Features

Standard Features	Easily Configured To Meet Your Needs	Options & Accessories
-------------------	--------------------------------------	-----------------------

Measurements

S-60 XC

- 20.29 m (66 ft) working height
- 14.80 m (48 ft 7 in) horizontal reach
- 300 kg (660 lb) unrestricted and 454 kg (1,000 lb) restricted lift capacity

S-65 XC

- 21.81 m (71 ft) working height
- 16.51 m (54 ft 2 in) horizontal reach
- 300 kg (660 lb) unrestricted and 454 kg (1,000 lb) restricted lift capacity

Productivity

- Self-leveling platform
- 160° hydraulic platform rotation
- Thumb rocker steering
- Proportional joystick controls
- Hydraulic oil cooler
- Drive enable system
- Chassis tilt drive function cut-out
- AC power cord to platform
- Horn
- Hour meter
- Tilt alarm
- Descent motion & travel alarms
- Flashing beacon
- 360° continuous turntable rotation
- Positive traction drive
- Two speed wheel motors
- On board full diagnostics and engine monitoring display
- Telematics ready connector
- Lift Guard[™] Contact Alarm

Power

- 12 V DC auxiliary power
- Anti-restart engine protection
- Auto engine fault shutdown
- Intake air heater

Platform Options

- Steel 1.83 m (6 ft) dual-entry platform with side swing gate
- 2.44 m (8 ft) tri-entry platform with side swing gate (standard)

Jib Options

- Non-jib (S-60 XC only)
- 1.52 m (5 ft) jib (S-65 XC only)

Engine Options

- Deutz diesel 48 hp (36 kW)

Drive

- 4 x 4

Axle

- Active oscillation (standard)

Tyre Options

- Rough terrain foam-filled (standard)
- Rough terrain non-marking foam-filled

Productivity Options

- Half-mesh platform inserts
- Platform auxiliary top rail
- Airline to platform⁽¹⁾
- Power to platform: plug, socket, with optional Residual-current Circuit Breaker with Overcurrent protection⁽²⁾
- Work lights package (2 on chassis, 2 on platform)⁽¹⁾
- Biodegradable hydraulic oil⁽¹⁾
- Chassis tilt lift function cut-out kit
- Panel cradle package⁽¹⁾
- Lockable platform & ground control box covers

Power Options

- Lift Power[™] 3kW AC generator, 120V/50Hz or 240V/50Hz
- EMEAR Cold Start kit: Inc. Engine heater & battery charger
- Diesel catalytic scrubber muffler⁽¹⁾



⁽¹⁾ Factory-fit option only

⁽²⁾ Not available if a generator is selected

United Kingdom

The Maltings, Wharf Road, Grantham NG31 6BH, T: +44 800 988 3739 (toll free), Fax +44 (0)1476 584334, Email AWP-InfoEurope@terex.com
Visit www.genielift.co.uk/locations to view our global locations list.

Worldwide Manufacturing And Distribution

Australia · Brazil · Caribbean · Central America · China · France · Germany · Italy · Japan · Korea · Mexico · Russia · Southeast Asia · Spain · Sweden · United Arab Emirates · United Kingdom · United States

Product specifications and prices are subject to change without notice or obligation. The photographs and/or drawings in this document are for illustrative purposes only. Refer to the appropriate Operator's Manual for instructions on the proper use of this equipment. Failure to follow the appropriate Operator's Manual when using our equipment or to otherwise act irresponsibly may result in serious injury or death. The only warranty applicable to our equipment is the standard written warranty applicable to the particular product and sale and we make no other warranty, express or implied. Products and services listed may be trademarks, service marks or trade names of Terex Corporation and/or their subsidiaries in the USA and many other countries. Genie is a registered trademark of Terex South Dakota, Inc. © 2018 Terex Corporation.

